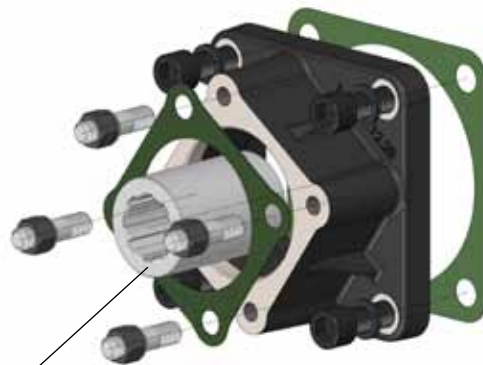


Adaptor for Iveco Cursor 8-10-13 engine PTO to ISO pump

It is available the new adaptor for mounting ISO hydraulic pumps on engine PTO's for Iveco Cursor 8-10-13.

Order code: **114-000-11925**



Female hub
8x32x36
(ISO 14)

